

**eSchwank**  
**Efficient Electric Infrared Heaters**  
Industry | Commercial | Logistics



As a multinational family business, Schwank offers customised complete solutions for commercial and industrial HVAC systems. For almost 90 years we have been a renowned leader of infrared heating solutions.



MADE  
IN  
GERMANY

# Electric Infrared Heaters for Industry and Commerce

---

Electric infrared heaters are a compelling and proven solution for industrial and commercial heating applications. Schwank has decades of experiences with infrared heaters from our founder's invention of the worldwide's first gas infrared heater in 1939.



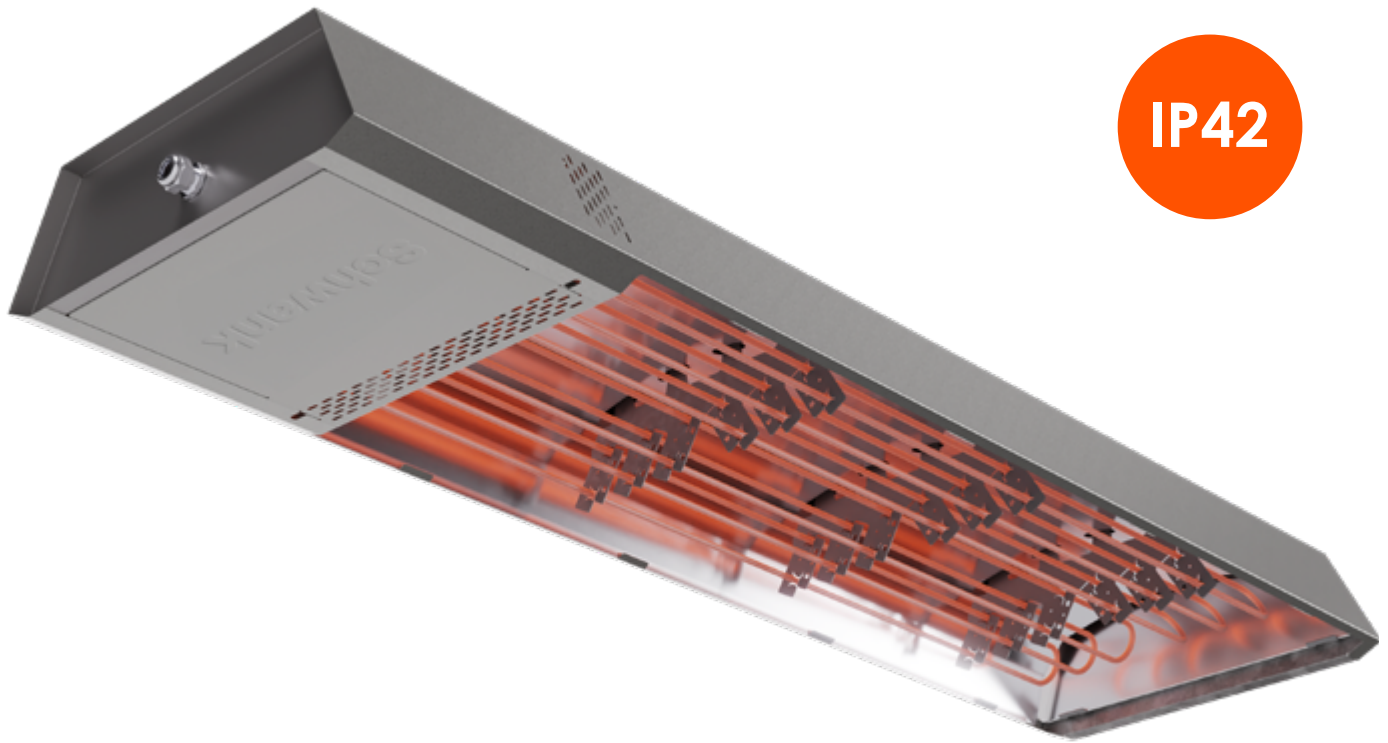
## Here are six reasons why electric radiant heaters are compelling:

- 1 Targeted heat:** Radiant heaters do not heat the entire air volume, but rather heat objects and people directly. This improves efficiency since less energy is required for the heating up period.
- 2 Quick heating:** Electric radiant heaters provide prompt heat as they do not require any time to warm up the air. This is particularly useful in buildings where fast heating is required.
- 3 No air movement:** In contrast to forced air convection (e.g., warm air heaters), radiant heaters do not cause air movement raising dust or particles.
- 4 Zonal heating control:** Radiant heaters can be installed in different zones offering the possibility to heat individual areas separately, and on demand.
- 5 Minimal heat loss:** As heat hits the surfaces directly, the heat loss through walls or ceilings is significantly less than with traditional heating systems.
- 6 Low maintenance:** Schwank electric radiant heaters have no moving parts. Heating elements can be easily exchanged if required.

# eSchwank

## S-18000

---

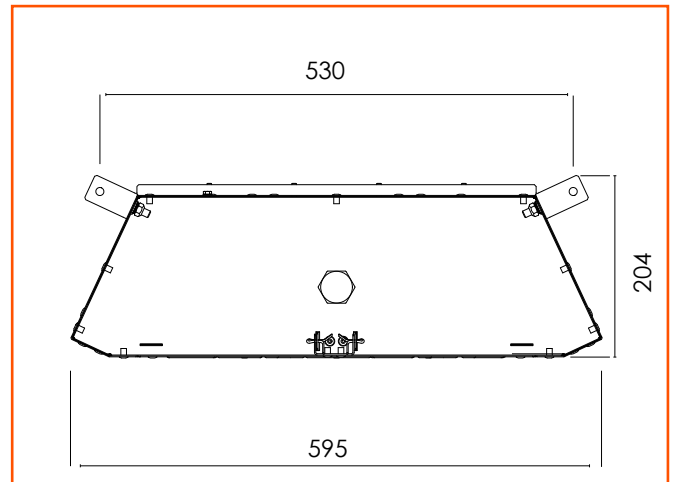
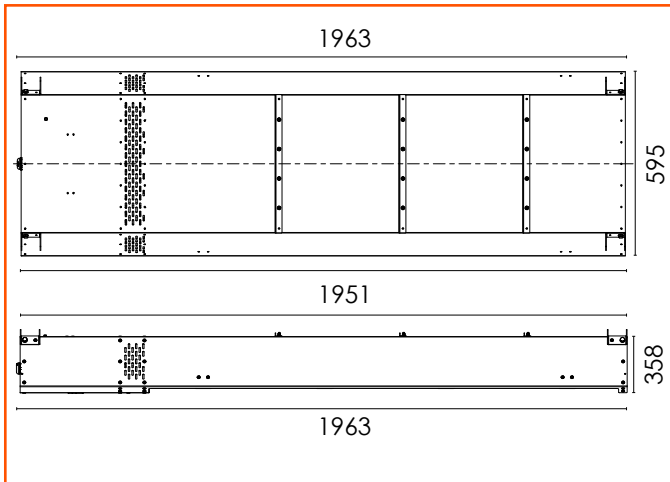


IP42

### → Product features:

- Reflector geometry made of highly reflective aluminium for optimum heat distribution.
- Service-friendly design, heating elements can be replaced in just a few minutes.
- Unique infraGlow heating elements for a long service life.
- Variable installation angle of up to 45 degrees
- Optional protective grille available (e.g. sports facilities).

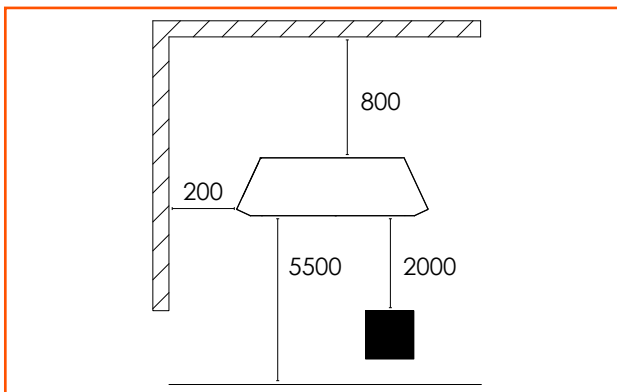
## Dimensions S-18000



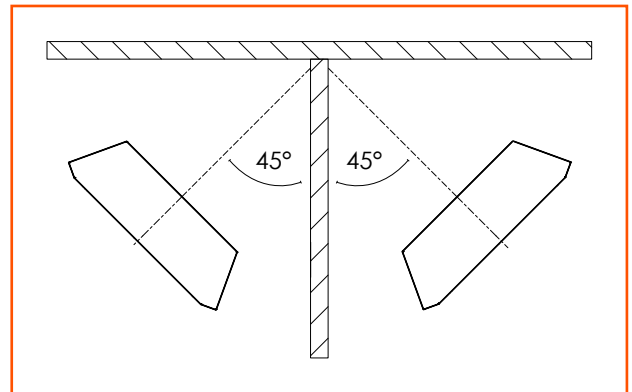
## Technical Data

Length (mm)	1963
Height (mm)	204
Width (mm)	595
Weight (kg)	30
Nominal output (kW)	6000 / 12000 / 18000
Protection class	IP42
Electrical Connection	400 V / Hz 50 ~
Current (A)	25
Minimum suspension height, vertical (mm)	5500
Minimum suspension height, angled (mm)	5000

### Minimum distances



### Max. inclination angle



# eSchwank

## H-Series 3000, 4500, 6000

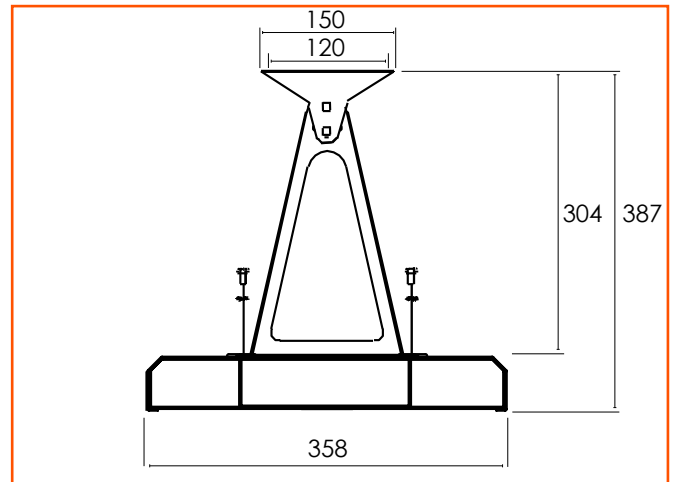
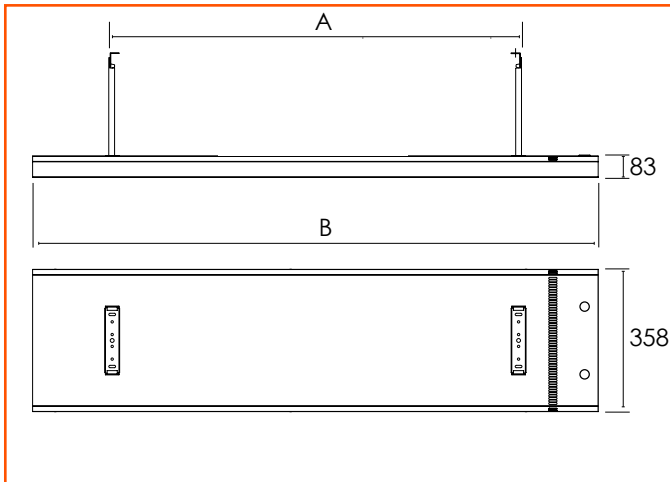
---



### → Product features:

- Reflectors made of shiny, anodised aluminium for optimised heat distribution.
- Adjustment of five different mounting brackets. (between 0 - 30 degrees)
- Corrosion resistant housing made of grey, aluzinc-coated steel panels.
- Optional protective grille available (e.g. sports facilities).

## Dimensions H-Series

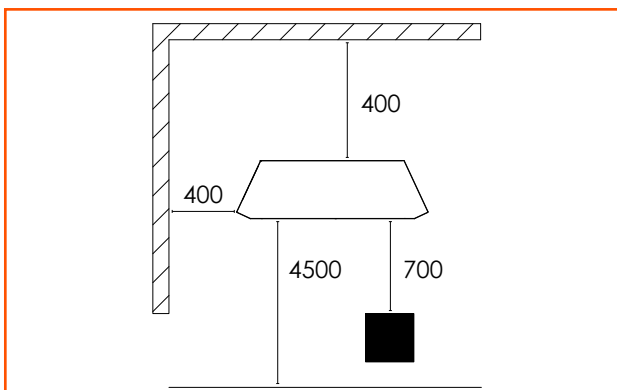


Dimensions	H-3000	H-4500	H-6000
A (mm)	600	900	1200
B (mm)	1125	1500	1875

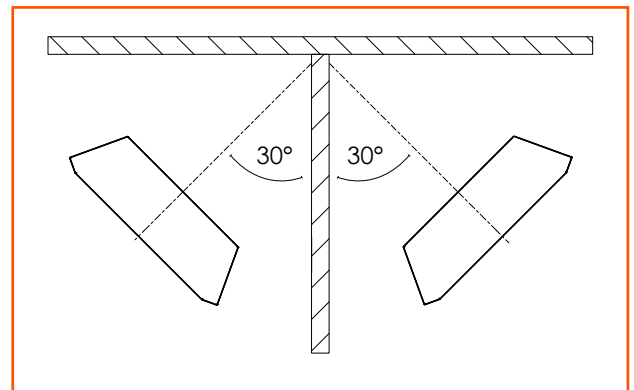
## Technical Data

	H-3000	H-4500	H-6000
Length (mm)	1125	1500	1875
Height (mm)	83	83	83
Width (mm)	358	358	358
Weight (kg)	9,0	11,1	13,2
Nominal output (kW)	1000 / 2000 / 3000	1500 / 3000 / 4500	2000 / 4000 / 6000
Protection class	IP44	IP44	IP44
Electrical Connection	400 V / Hz 50 ~	400 V / Hz 50 ~	400 V / Hz 50 ~
Current (A)	4,3	6,5	8,7
Minimum suspension height, vertical (mm)	4500		
Minimum suspension height, angled (mm)	4000		

### Minimum distances

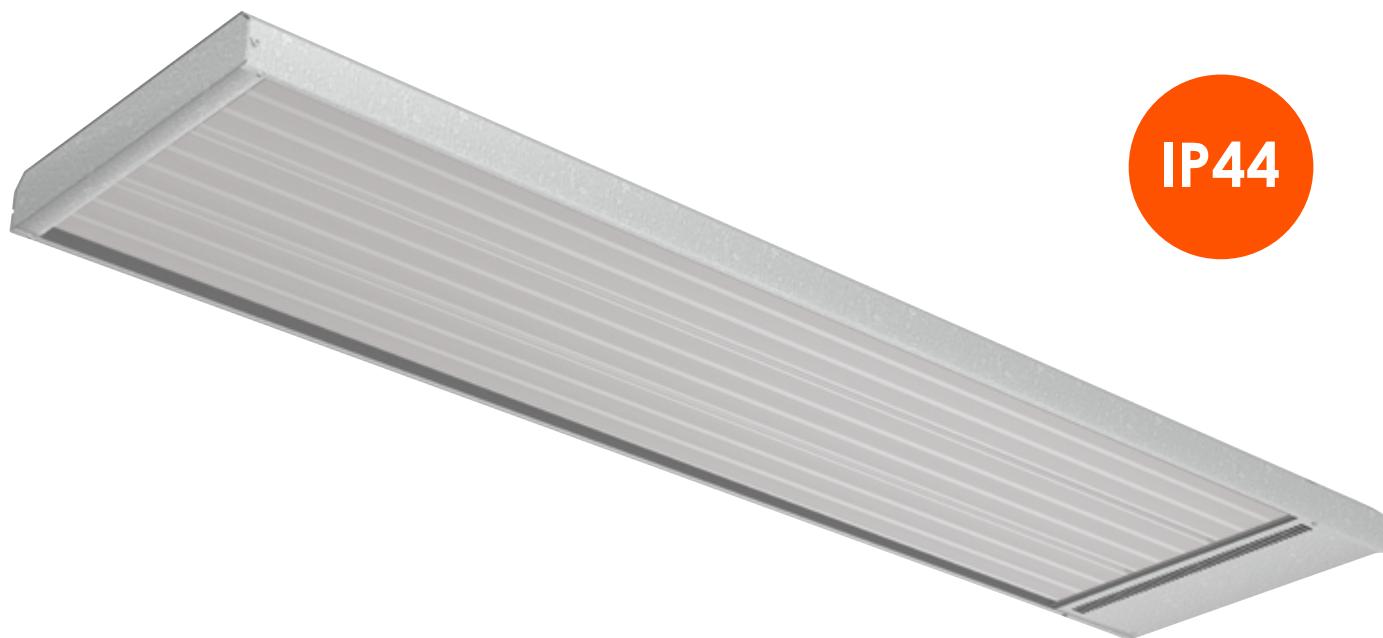


### Max. inclination angle



# eSchwank

## D-Series 2200, 4500

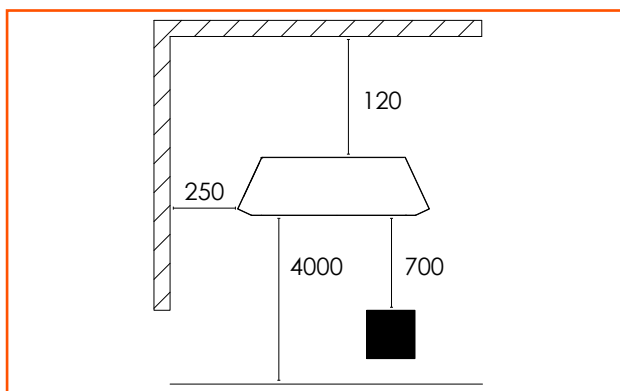


IP44

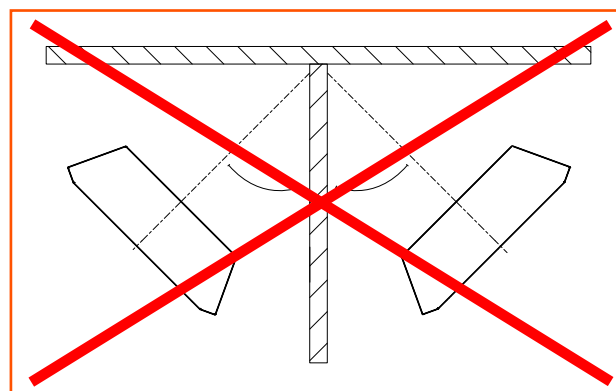
### → Product features:

- Stainless steel housing made of grey, aluzinc-coated steel panels. Heating panels made of naturally anodized aluminium.

#### Minimum distances

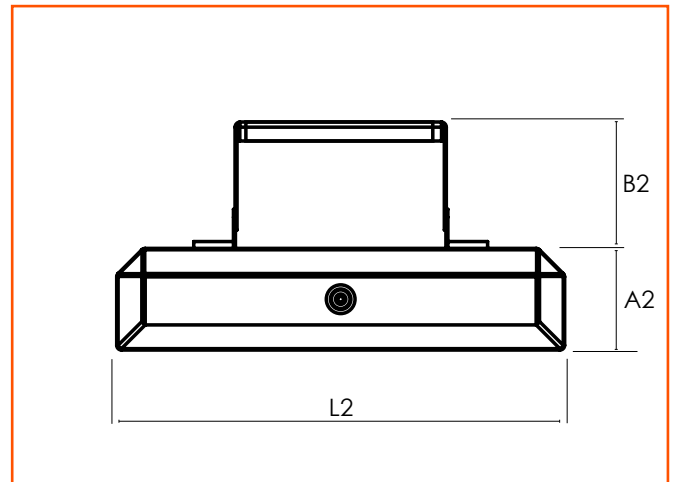
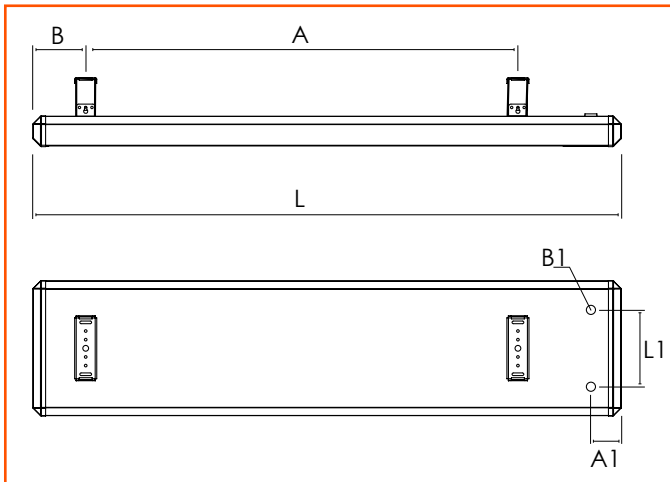


#### Max. inclination angle





## Dimensions D-Series



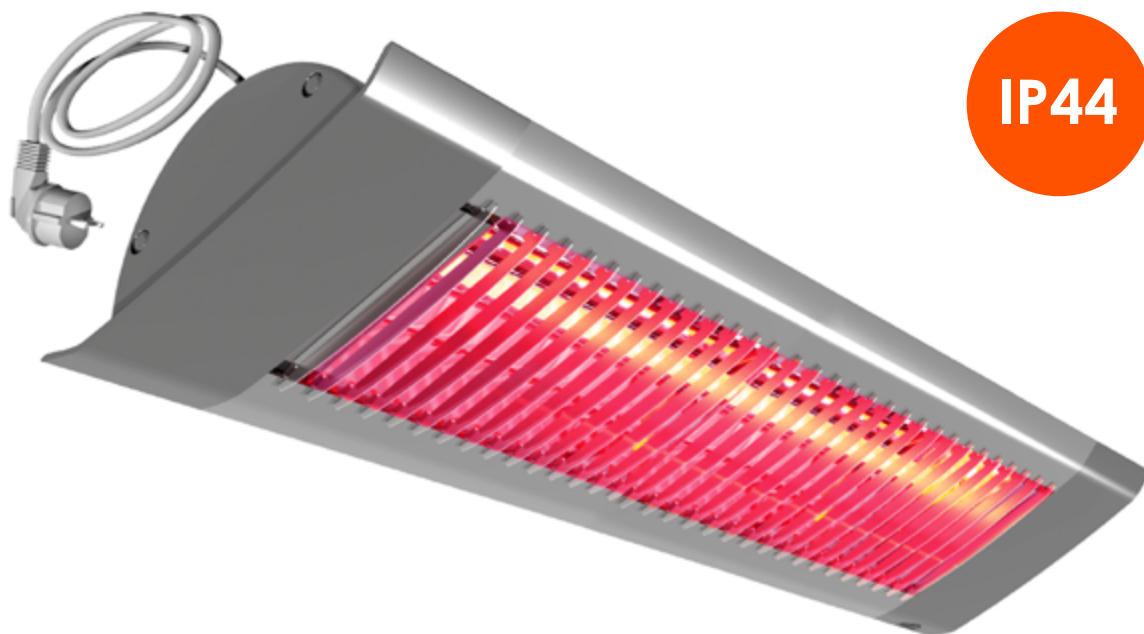
Dimensions	D-2200	D-4500
L (mm)	1520	2030
A (mm)	1200	1500
B (mm)	108	265
L1 (mm)	160	200
A1 (mm)	63	40
B1 (mm)	∅ 20,5 (2x)	∅ 32,5 (2x)
L2 (mm)	282	420
A2 (mm)	64	63
B2 (mm)	82	120

## Technical Data

	D-2200	D-4500
Length (mm)	1520	2030
Height (mm)	64	63
Width (mm)	282	420
Weight (kg)	10,7	24,2
Nominal output (kW)	2200	4500
Protection class	IP44	IP44
Electrical Connection	230 V / Hz 50 ~	400 V / Hz 50 ~
Current (A)	9,6	11,3 / 6,5
Minimum suspension height, vertical (mm)	4000	
Minimum suspension height, angled (mm)	prohibited	

# eSchwank

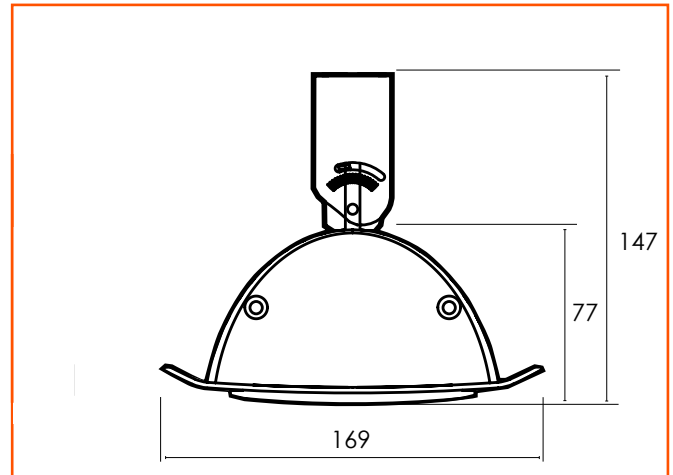
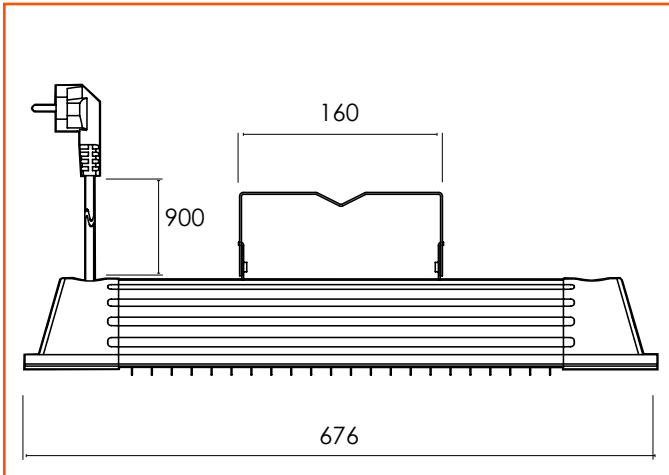
## EZ-2000



### → Product features:

- EZ-2000 consists of a powerful halogen lamp and a high-gloss reflector ensuring optimum heat distribution.
- 900 mm long connecting cable with Schuko plug
- Housing made from anodized aluminium, grille from nickel/chrome and side parts of powder-coated light metal.
- Plug and play: simple installation and power supply

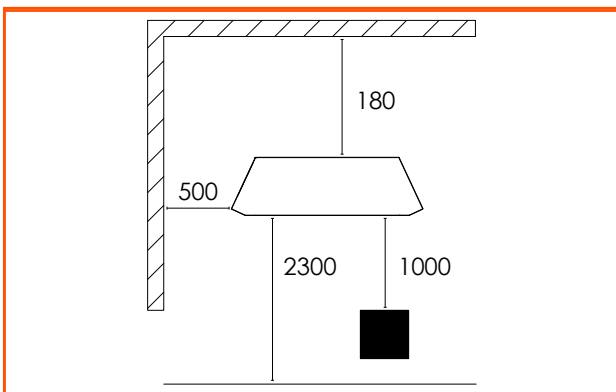
## Dimensions EZ-2000



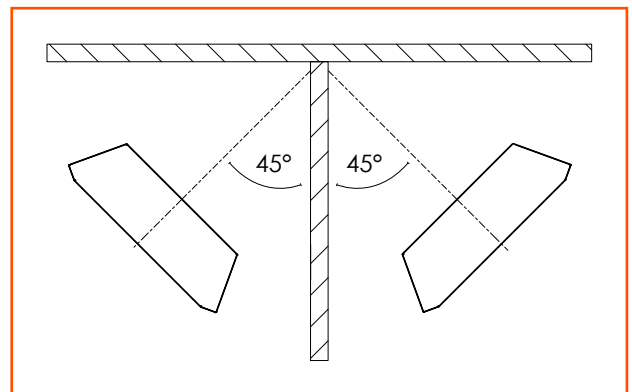
## Technical Data

EZ-2000	
Length (mm)	676
Height (mm)	77
Width (mm)	169
Weight (kg)	2,5
Nominal output (kW)	2000
Protection class	IP 44
Electrical Connection	230 V / Hz 50 ~
Current (A)	8,7
Minimum suspension height, vertical (mm)	2300
Minimum suspension height, angled (mm)	1800

### Minimum distances



### Max. inclination angle



## Schwank Companies Worldwide



### Germany - Headquarters

#### Schwank GmbH

Bremerhavener Str. 43 ■ 50735 Köln  
Tel.: +49-221-7176 0  
info@schwank.de  
www.schwank.de

### Austria

#### Schwank Ges.m.b.H.

Hetmanekgasse 1b/3 ■ 1230 Wien  
Tel.: +43-1-609 1320  
office@schwank.at  
www.schwank.at

### Benelux

#### Schwank BV

Vaart 7A ■ 4206 CC Gorinchem  
Tel.: +31-183 766050  
schwank@schwank.nl  
www.schwank.nl

### China

#### Schwank HVAC Technology (Tianjin) Ltd. Co.

7a Jimei Industrial Park  
Devel. Area ■ 300385 Tianjin  
Tel.: +86-22-87975319  
info@schwankchina.com  
www.schwankchina.com

### Canada

#### Schwank Ltd.

5285 Bradco Blvd. ■ Mississauga,  
Ontario, L4W 2A6  
Tel.: +1-877-446 3727  
csr@schwankgroup.com  
www.schwankgroup.com

### Czech Republic

#### Schwank CZ, s.r.o.

Nám. Republiky 1 ■ 614 00 Brno  
Tel.: +420-545-211 530  
info@schwank.cz  
www.schwank.cz

### Poland

#### Schwank Polska Sp. z o.o.

ul. Krańcowa 65 ■ 62-081 Przeźmierowo  
Tel.: +48-32-201 05 58  
info@schwank.pl  
www.schwank.pl

### Romania

#### Schwank SRL

bd. 9 Mai nr. 21 bl. B11/43-44 ■  
610127 Piatra Neamt  
Tel.: +40-233-22 69 66  
schwank@schwank.ro  
www.schwank.ro

### Slovak Republic

#### Schwank s.r.o.

Vajnorská 100/B ■ 831 04 Bratislava  
Tel.: +421-94-895 9535  
info@schwank.sk  
www.schwank.sk

### United Kingdom

#### Schwank Ltd.

Unit D2, Armthorpe Enterprise Park  
Durham Lane ■ Doncaster DN3 3DY  
Tel.: +44-20-86413900  
sales@schwank.co.uk  
www.schwank.co.uk

### USA

#### Schwank USA, Inc.

2 Schwank Way ■ Waynesboro, GA 30830  
Tel.: +1-877-446 3727  
csr@schwankgroup.com  
www.schwankgroup.com